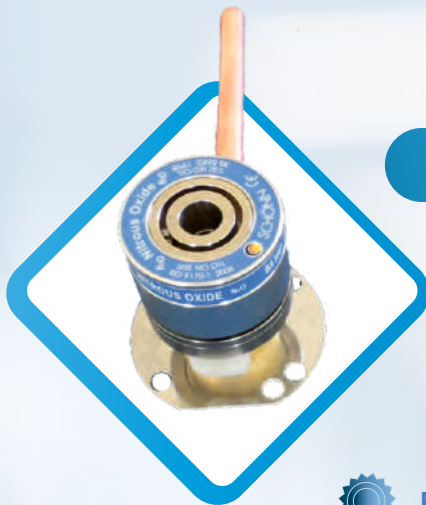
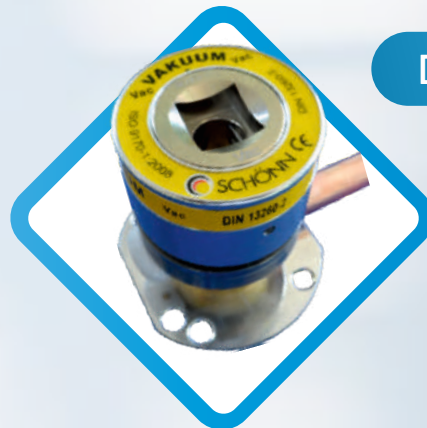


# MEDICAL GAS TERMINAL UNITS



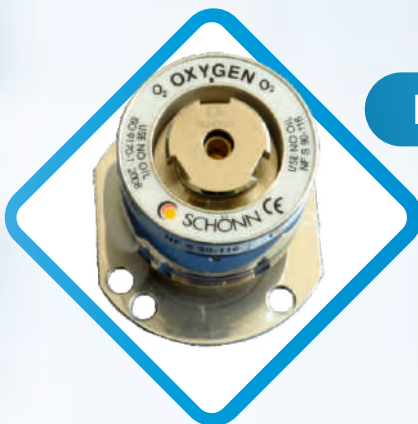
BS 5682



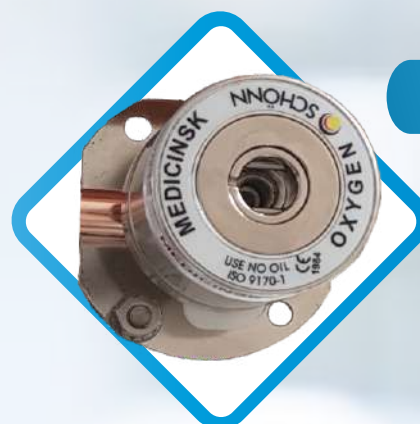
DIN 13260-2



Patented  
No: P2004 02875



NF-S 90-1 16



SS 8752430



American  
Standard



UNI 9507

# MEDICAL GAS TERMINAL UNITS

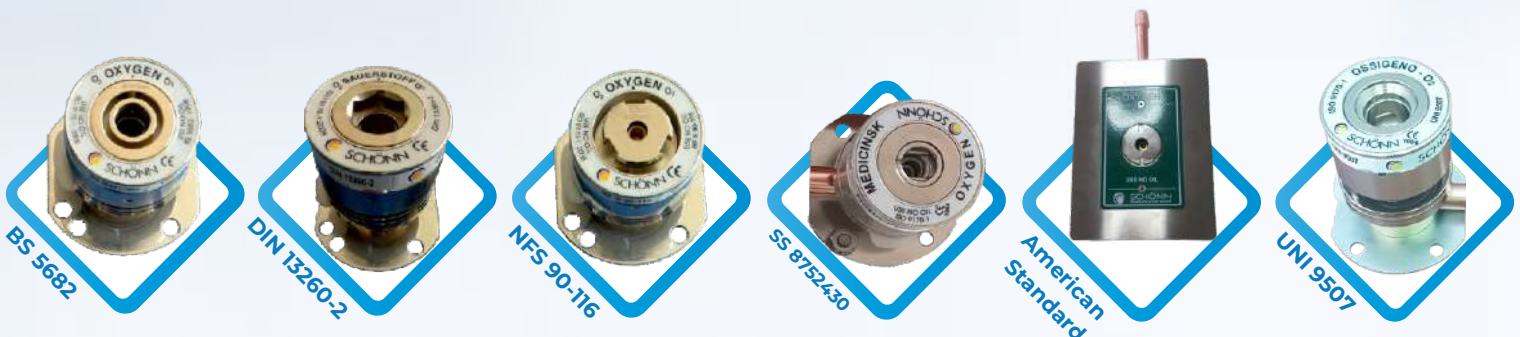
## Structural Characteristics

- ◆ Flush / Surface supply units for wall, bedhead unit and pendant installation.
- ◆ Corrosion-free, and all material used is Oxygen compatible.
- ◆ Gas type-specific colouring in order to prevent wrong gas usage, using a secure connection.
- ◆ Quick assembly by smart Q-Click mechanism, easy-to-fix, easy to repair.
- ◆ Unique check valve design.
- ◆ 100% Leak free on Pressure Testing at 10 Bar of 1st fix assemblies.
- ◆ Unhindered effective working pressure offers increased user performance.
- ◆ Unique cartridge design, easy replacement of cartridge for maintenance, without blocking the gas system.
- ◆ Fulfills all requirements of ISO 9170-1 and compatible to BS 5682; DIN 13260-2; NF-S 90-116, SS 8752430, American standard and UNI 9507.
- ◆ Patented design enables conversion of terminal units by only changing Main Body (second fix) in between BS 5682; DIN 13260-2; NF-S 90-116, SS 8752430, American standard and UNI 9507.



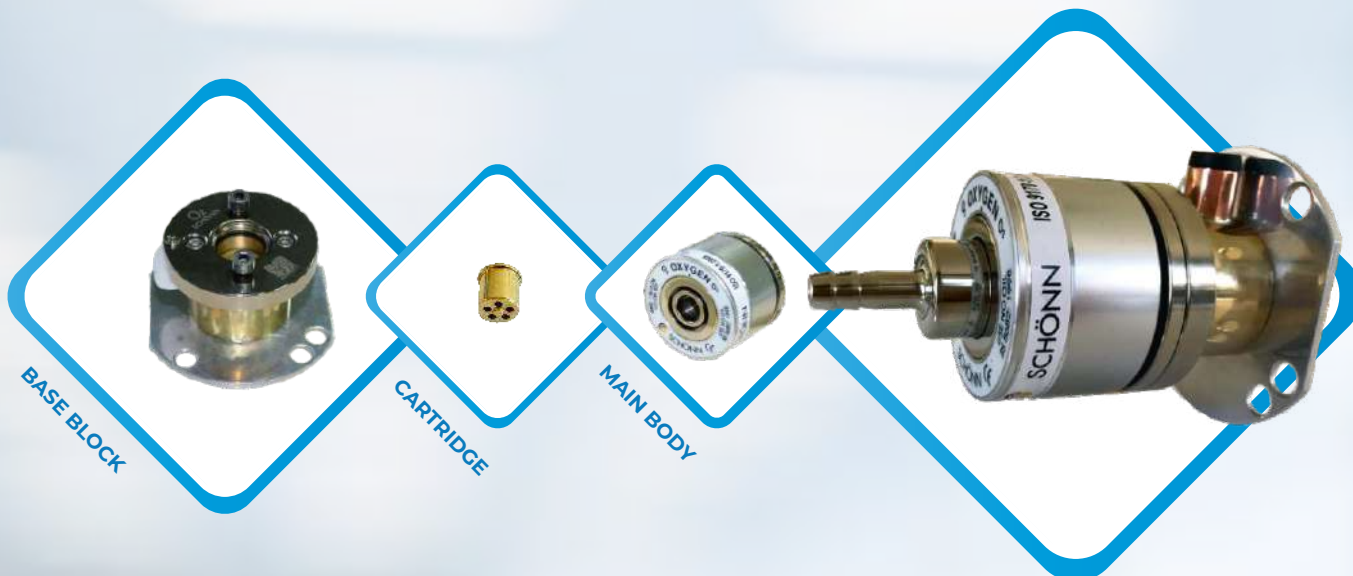
- ◆ The smooth quiet action of the Schön terminal unit is a result of the attention paid to detail by designers. The high precision gas indexing diameters coupled with accurately calculated geometry in the engage and release mechanism ensure a strong, positive and secure connection, every time - giving you the confidence you need when you need it most.
- ◆ Our unique and innovative check valve seating design has proven to outlast and out perform other designs, enabling us to provide a 5 Year warranty as standard. In order to ensure every terminal unit is leak free, 100% of Base Block (first fix) assemblies are subject
- ◆ The unique flush gas identification ring eliminates the dust trap associated with other designs. Available gases are oxygen, nitrous oxide, entonox, medical air, surgical air, vacuum, AGS, carbon dioxide and nitrogen.
- ◆ Installation types include:
  - Wall: flush or surface mounted,
  - Bedhead: curved or straight stub pipe
  - Multiple pendant types: such as boom or rigid/retractable.
  - Accessories include multiple gas jig plates, to aid and speed up the installation process as well as multiple gas fascia plates for a high end wall finish.

## STANDARDS



# MEDICAL GAS TERMINAL UNITS

◆ Terminal Units consist of 3 main parts: Base Block (1st Fix), Cartridge and Main Body (2nd Fix)



## BASE BLOCK

## CARTRIDGE

## MAIN BODY

◆ Made of forged brass and has maintenance valve inside, can be tested under 10 Bar pressure and contains gas specific pins and patented Q-Click mechanism. Inlet can be supplied by either brazed copper tube or brazed NIST connector depending on the installation places.

◆ Made of machined brass, contains check valve which is same for all gases for the same standard but different standard .i.e, BS type cartridge is same for all gases but differs from DIN, AFNDR and SS 8752430 type cartridges. Even cartridge for all gases to be same, gas specify on installation has been provided.

◆ This part is the part makes all the difference consisting locking mechanism. Indexing part for gas and standard differentiation and identification plate.



Easy to fix

Color code according to international standards

Complying to BS 5682; DIN 13260; NF-S 90-116, SS 8752430, American Standard and UNI 9507.



# MEDICAL GAS TERMINAL UNITS



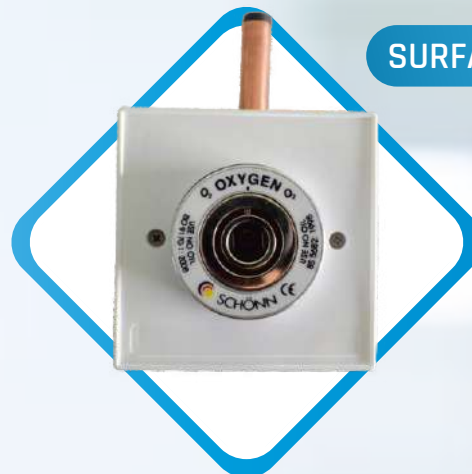
BHU TYPE



PENDANT TYPE



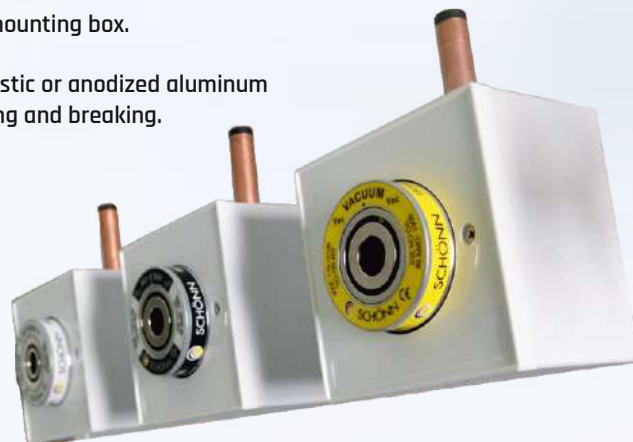
WALL MOUNTED TYPE



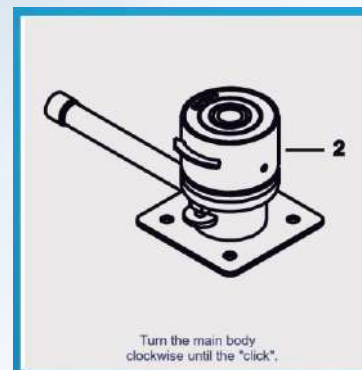
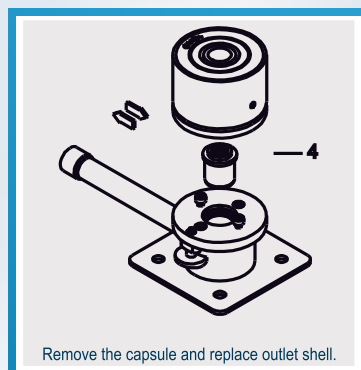
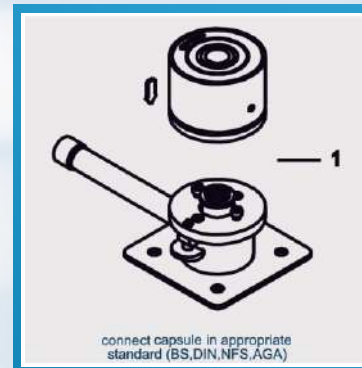
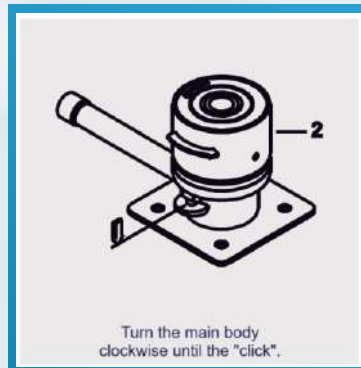
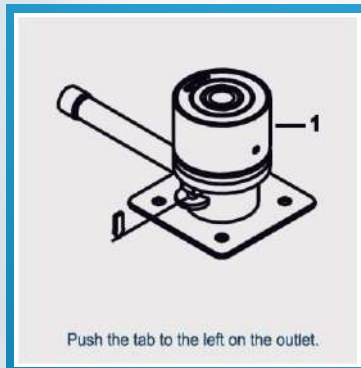
SURFACE TYPE

## SURFACE TYPE

- ◆ Single-outlet surface mounting box.
- ◆ Box is made of ABS Plastic or anodized aluminum material against burning and breaking.
- ◆ Corrosion resistant



# MEDICAL GAS TERMINAL UNITS



## OPERATION

Operation of Terminal Unit is the same as the other conventional Terminal Units, but as easy as they are only specified standard indicated on the front label can be inserted into Terminal Units. Probe shall be locked when click sound heard. To remove the probe, index collar should be pushed. Locking pins will release the probe and it will be removed. DIN norm Terminal Units has real parking position facility.

This parking position is supplied by two stage double pin locking mechanism. Pins are in different stage, operates independently. By first push, probe will be released from gas connection gas flow stops, but probe cannot be removed. By second push of index collar, probe can be taken out of Terminal Unit.

## MAINTENANCE

Maintenance and service of patented Terminal Units are as easy as inserting or removing probe.

- 1) Press Q-Click mechanism
  - 2) Turn Main Body counter clockwise while keeping pressed Q-Click mechanism
  - 3) Remove Main Body
  - 4) Replace Cartridge with a new one
  - 5) Push Main Body and Turn clockwise till click sound heard
- Easy and cost effective Maintenance Process completed in few second without turning off gas valves and disturbing patients.

# MEDICAL GAS TERMINAL UNITS

Terminal units for medical gases are in BS 5682, DIN 13260, NF-S 90-116, SS 8752430, American standard and UNI 9507 standards, and the gases are oxygen, nitrous oxide, medical air 4 bar, surgical air 7 bar, medical vacuum, entonox, nitrogen, carbondioxide.



TECHNICAL DATA

TEST	DS EN ISO 9170-1:2008 Requirement	Schönn Medizintechnik Performance	Benefit
10,000 operation cycles	Pass	Pass	High Reliability
$\Delta p$ @ 40 l/min, 320 kPa	15 kPa maximum	0,7 kPa	Higher Flows
$\Delta p$ @ 200 l/min, 320 kPa	70 kPa maximum	14 kPa	Higher Flows
$\Delta p$ @ 350 l/min, 560 kPa	70 kPa maximum	30 kPa	Higher Flows
$\Delta p$ @ 25 l/min, 40 kPa abs.	15 kPa maximum	1,2 kPa	Higher Flows
Axial force test	500N minimum	over 1000 N	Higher Strength
Connection force	100 N maximum	67N (600 kPa) 90N 1200 kPa)	Easier Operation
Disconnection force	20 - 100 N	42N (320 kPa) 39N (640 kPa)	Easier Operation



## Headquarters/Factory

📍 Andreas-Bornes Str. 46, 41179 Mönchengladbach /Germany

☎ +49 (0) 2161 564 5075 📠 +49 (0) 2161 564 5074

## Warehouse

📍 Herforder Strasse 46, 32602 Vlotho/Germany

☎ +49 (0) 5733 963 0442 📠 +49 (0) 5733 963 0440