



SCHÖNN
Medizintechnik GmbH

MEDICAL PENDANTS



MEDICAL PENDANTS



SACP-90

ARM CEILING RIGID PENDANT



SHSP-90

**HORIZONTAL SINGLE
ARM PENDANT**



SHTP-90

**HORIZONTAL TWIN
ARM PENDANT**



SMSP-90

**MULTI MOVEMENT ELECTRIC
SINGLE ARM PENDANT**



SMTP-90

**MULTI MOVEMENT ELECTRIC
TWIN ARM PENDANT**



SDAP-90

DOUBLE ARM PENDANT

MEDICAL PENDANTS

FEATURES

- ◆ Increased hygiene and sterility
- ◆ Ease of use
- ◆ No more trailing leads, cables, or hoses
- ◆ Fully encapsulated system, incorporating modular service boxes, which makes maintenance and general use easier
- ◆ Single or two-piece arm assemblies, motorised or static, equipment can now be located at the point of use with the greatest of ease
- ◆ Fully equipped to suit the application, with high and low voltage supplies, medical gas outlet points, communication points, and various miscellaneous items
- ◆ Heavy-duty structures
- ◆ Easy cleaning of all parts for hygiene purposes
- ◆ Equipment shelf with optional pressure gauges for each medical gas (electrical and medical gas outlets in separate compartments)
- ◆ Side rails for IV stands and equipment
- ◆ The pendant is supplied in RAL 9002 electrostatic powder-coated finish

INSTALLATION

The services are run to a first-fix unit in the ceiling. For medical gases, these services will terminate in Non-Interchangeable Screw Thread connections (NIST) to ISO 18082 standard. The first-fix installation should be completed, fully tested, and blanked until the second-fix installation is required. The pendant is supplied as a second-fix item for installation during the finishing of the theatre and is normally supplied with all components installed and tested in the factory.

Gas services are via flexible connectors to EN ISO 5359, which are attached to the first NIST connectors to ISO 18082 standard. The pendants are supplied with a bevelled fascia plate to provide a neat junction at the ceiling. All securing bolts must be adequate for the load of the pendant. Any supporting framework must also be designed for rigidity. Even small loads, such as those imposed by inserting gas probes, can cause large deflections on long pendants. Any supporting framework should be designed for maximum rigidity to avoid these deflections.

MAINTENANCE

Maintenance is important for this pendant to ensure that the flexible connectors have not become worn. Generally, these connectors should be replaced regularly. Maintenance of components should be in accordance with the manufacturer's instructions. It is recommended that the maintenance requirements for the components be combined into one programme of maintenance for the pendant and incorporated into the planned maintenance programme for the hospital.

SAFETY

Particular care should be taken when installing pendants with several gases to ensure that the pipeline to each gas terminal outlet is connected to the correct gas supply system. Checks should be made using gas flow and gas identity tests to ensure that the connections are correct. Care should be taken to ensure that electrical connections are not disturbed and to ensure that the pendant itself is correctly electrically bonded to the gas and electricity supply to avoid hazards to patients and theatre personnel.

MEDICAL PENDANTS

ARM CEILING RIGID PENDANT

ARM CEILING RIGID PENDANT



SACP-90

INSTALLATION

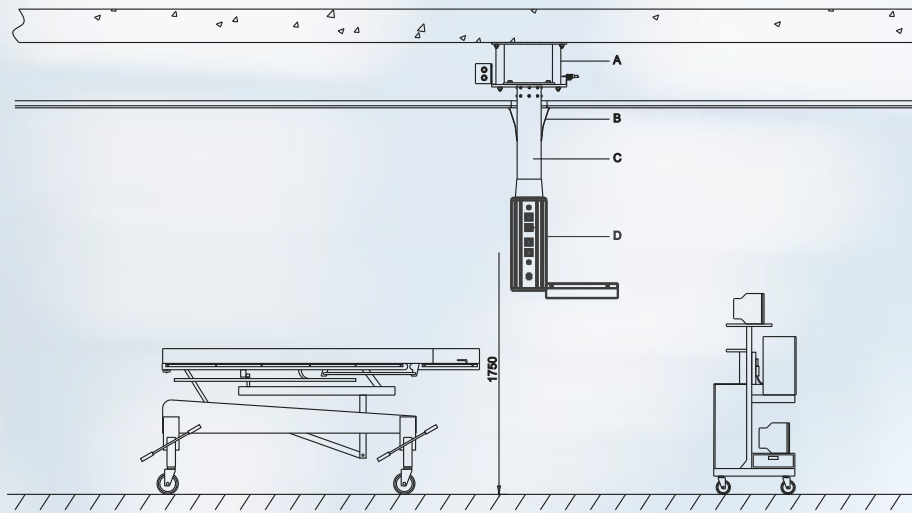
The services are run to a first-fix unit in the ceiling. For medical gases, these services will terminate in Non-Interchangeable Screw Thread connections (NIST) to ISO 18082 standard. The first-fix installation should be completed, fully tested, and blanked until the second-fix installation is required. The pendant is supplied as a second-fix item for installation during the finishing of the theatre and is normally supplied with all components installed and tested in the factory.

Gas services are via flexible connectors to EN ISO 5359, which are attached to the first NIST connectors to ISO 18082 standard. The pendants are supplied with a bevelled fascia plate to provide a neat junction at the ceiling. All securing bolts must be adequate for the load of the pendant. Any supporting framework must also be designed for rigidity. Even small loads, such as those imposed by inserting gas probes, can cause large deflections on long pendants. Any supporting framework should be designed for maximum rigidity to avoid these deflections.



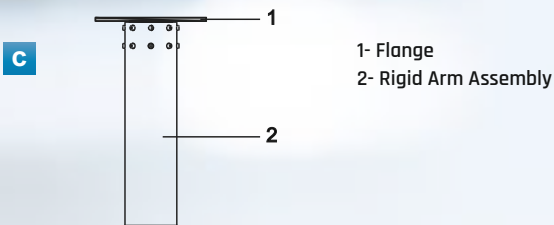
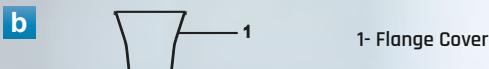
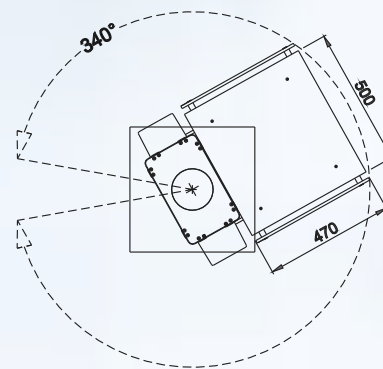
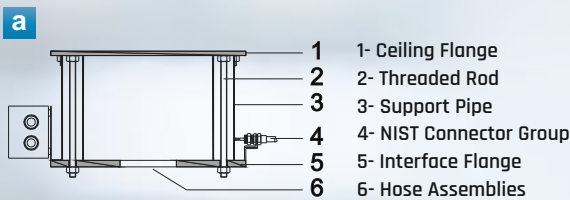
Optionally, other sizes can be manufactured upon customer request.

MEDICAL PENDANTS

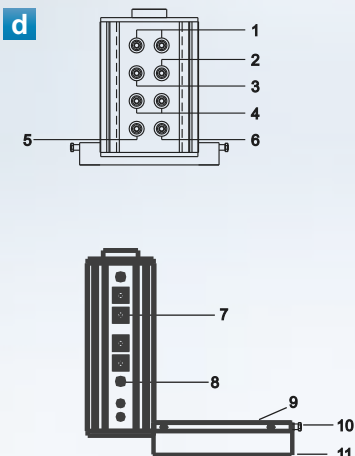


Typical Arrangement of an Operating Theatre with Arm Ceiling Rigid Pendant

ARM CEILING RIGID PENDANT



NO	ITEM NO	DESCRIPTION	QTY
a	S90-300-021	Flange Group	1set
b	S90-300-049	Flange Cover	1ea.
c	S90-300-001	Rigid Arm	1set



d. Technical Console

NO	ITEM NO	DESCRIPTION	QTY
1	S10-010-Q	Q-Click Oxygen Terminal Unit	2ea.
2	S30-010-Q	Q-Click Medical Air 4 Terminal Unit	1ea.
3	S40-010-Q	Q-Click Medical Air 7 Terminal Unit	1ea.
4	S50-010-Q	Q-Click Vacuum Terminal Unit	2ea.
5	S20-10-Q	Q-Click Nitrous Oxide Terminal Unit	1ea.
6	S60-013-000	Agss Terminal Unit	1ea.
7	S99-515-003	UPS Electrical Socket	8ea.
8	S99-519-003	Potential Earthing	8ea.
9	S90-300-103	Shelf	1ea.
10	S90-300-104	Stainless Steel Rail	2ea.
11	S90-300-101	Drawer	1ea.

HORIZONTAL SINGLE ARM PENDANT



SHSP-90

- Single Horizontal Arm Pendant has a single arm.
- The length of the arm is 1000 mm. The arm does not move up and down.
- The arm has a capability of 340° rotation around its vertical axis.
- The arm is standard.

HORIZONTAL TWIN ARM PENDANT

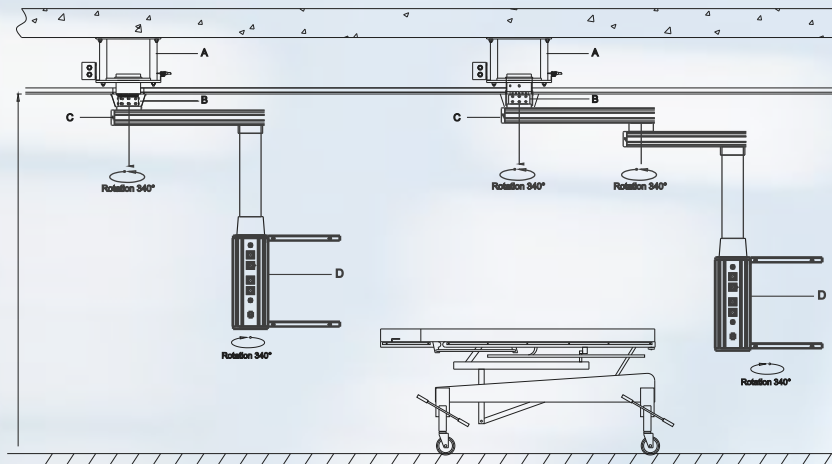


SHTP-90

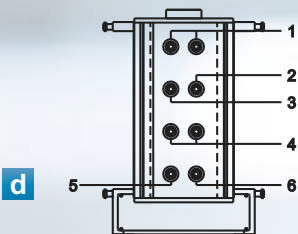
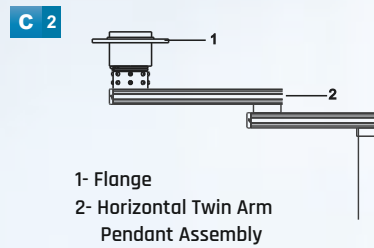
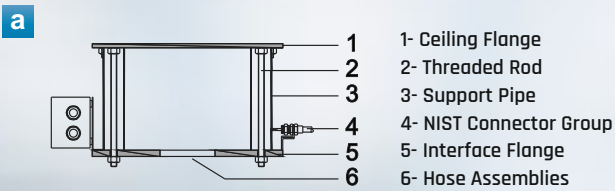
- Twin Horizontal Arm Pendant has two arms.
- The lengths of the arms are 600 mm and 800 mm.
- The arms move horizontally and rotate 340° on their vertical axis.
- The arms are standard.

Optionally, other sizes can be manufactured upon customer request.

MEDICAL PENDANTS

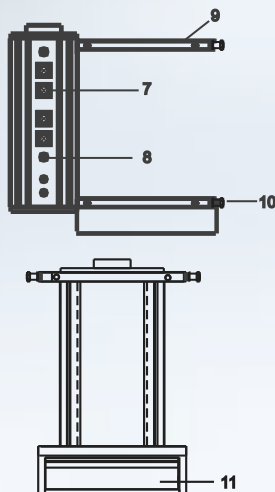


Typical Arrangement of an Operating Theatre with Arm Single-Twin Pendant



NO	ITEM NO	DESCRIPTION	QTY
a	S90-300-021	Flange Group	1set
b	S90-300-049	Flange Cover	1ea.
c1	S90-300-001	Horizontal Single Arm	1set
c2	S90-300-002	Horizontal Twin Arm	1set

d. Technical Console



NO	ITEM NO	DESCRIPTION	QTY
1	S10-010-Q	Q-Click Oxygen Terminal Unit	2ea.
2	S30-010-Q	Q-Click Medical Air 4 Terminal Unit	1ea.
3	S40-010-Q	Q-Click Medical Air 7 Terminal Unit	1ea.
4	S50-010-Q	Q-Click Vacuum Terminal Unit	2ea.
5	S20-10-Q	Q-Click Nitrous Oxide Terminal Unit	1ea.
6	S60-013-000	Agss Terminal Unit	1ea.
7	S99-515-003	UPS Electrical Socket	8ea.
8	S99-519-003	Potential Earthing	8ea.
9	S90-300-103	Shelf	1ea.
10	S90-300-104	Stainless Steel Rail	6ea.
11	S90-300-101	Drawer	1ea.

HORIZONTAL SINGLE-TWIN PENDANT

MEDICAL PENDANTS

MULTI MOVEMENT ELECTRIC SINGLE-TWIN ARM PENDANT

MULTI MOVEMENT ELECTRIC SINGLE ARM PENDANT



SMSP-90

- Single Electric Arm Pendant has a single arm.
- The Arm has capability of 340° rotation around.
- Its vertical movement of max 600 mm provided by an electric motor.
- Electric Arm's length is 850 mm.

MULTI MOVEMENT ELECTRIC TWIN ARM PENDANT

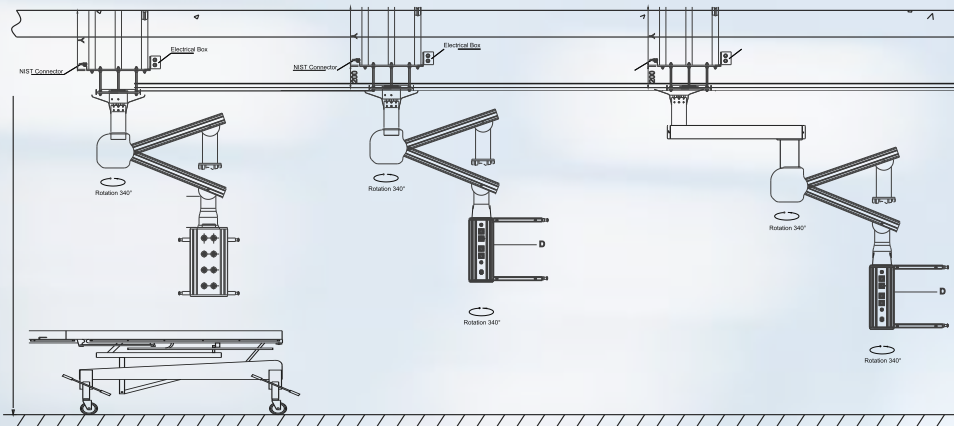


SMTP-90

- Twin Electric Arm Pendant has two arms.
- Both arms have capability of 340 rotation.
- Vertical movement of the motorized arm has a range of 600 mm up and down by the electric motor.
- The length of the motorized arm is 850 mm and non motorized arm length is 600 mm, both have the capability of rotating 340 horizontally.

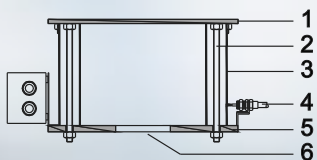
Optionally, other sizes can be manufactured upon customer request.

MEDICAL PENDANTS



Typical Arrangement of an Operating Theatre with Multi Movement Electric Single-Twin Pendant Arm

a



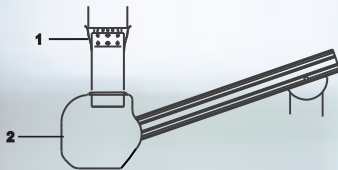
- 1- Ceiling Flange
- 2- Threaded Rod
- 3- Support Pipe
- 4- NIST Connector Group
- 5- Interface Flange
- 6- Hose Assemblies

b



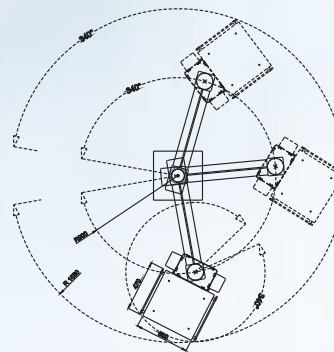
- 1- Flange Cover

c 1



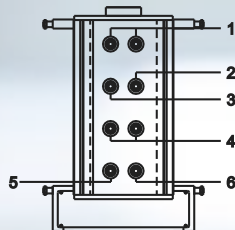
- 1- Flange
- 2- Electric Single Arm Pendant Assembly

c 2



- 1- Flange
- 2- Electric Twin Arm Pendant Assembly

d



d. Technical Console

NO	ITEM NO	DESCRIPTION	QTY
1	S10-010-Q	Q-Click Oxygen Terminal Unit	2ea.
2	S30-010-Q	Q-Click Medical Air 4 Terminal Unit	1ea.
3	S40-010-Q	Q-Click Medical Air 7 Terminal Unit	1ea.
4	S50-010-Q	Q-Click Vacuum Terminal Unit	2ea.
5	S20-10-Q	Q-Click Nitrous Oxide Terminal Unit	1ea.
6	S60-013-000	Agss Terminal Unit	1ea.
7	S99-515-003	UPS Electrical Socket	8ea.
8	S99-519-003	Potential Earthing	8ea.
9	S90-300-103	Shelf	1ea.
10	S90-300-104	Stainless Steel Rail	6ea.
11	S90-300-101	Drawer	1ea.

MULTI MOVEMENT ELECTRIC SINGLE-TWIN PENDANT ARM

MEDICAL PENDANTS

DOUBLE ARM PENDANT

DOUBLE ARM PENDANT



To provide the ideal arrangement for all necessary services and equipment connection facilities required in an ICU or CCU for clinical purposes.

The Double Arm Pendant is manufactured from extruded aluminum profile and coated by electrostatic powder paint.

The Double Arm Pendant has a 'Wet Side' and a 'Dry Side' equipment console.

Wet Side Equipment Console will have drip hook, infusion stands, equipment rail as well as gas and electric services.

Dry Side equipment console will have shelves for convenient storage and electric services.

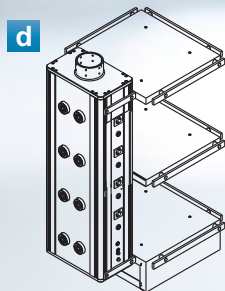
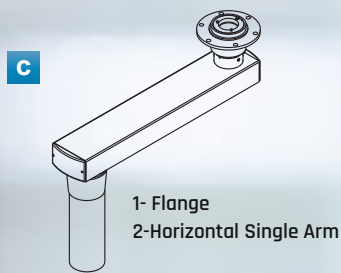
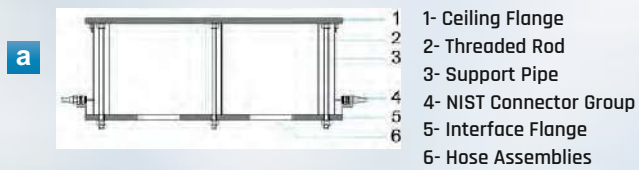
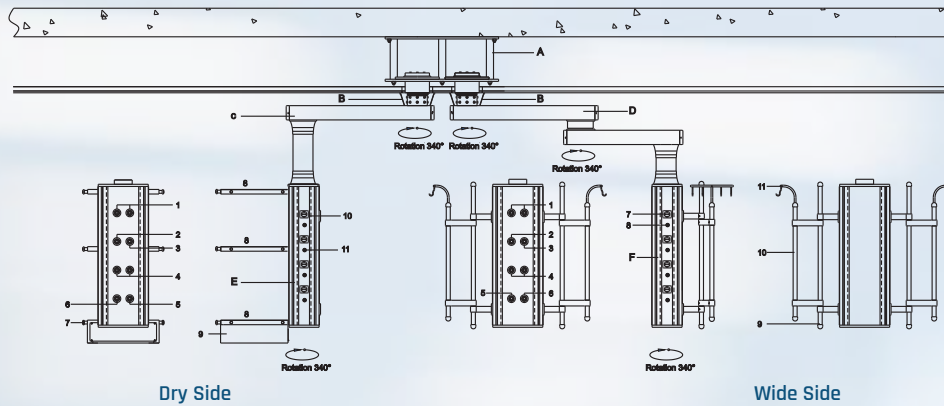
No more cables and hoses on the floor which cause an obstruction to free movement, because all cables and hoses are integrated into the pendant system.

SDAP-90

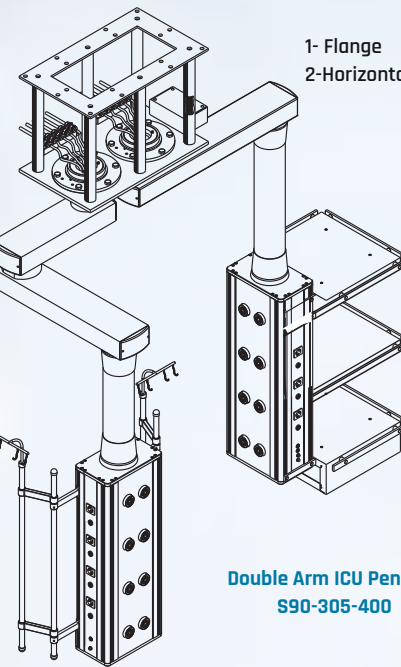
All necessary pieces of equipment are set on individually adjustable trays, or attached to rails or poles. This results in an unobstructed and working space and leaves floor space free for the use of medical (or other) equipment. Conduits and fittings are built into the unit so that they are not visible and, therefore, giving a surface that is easy to clean. The ceiling suspension system is maintenance free. Equipment is connected by means for short connecting hoses or cables for medical gases and electricity. Single or twin support arms can be easily extended using modules to suit the requirements of a specific application. The arms rotate on high quality bearings, so that the technical consoles can be very smoothly and quickly moved into any position. The support arms are solidly built to enable heavy devices (monitors pumps etc.) to be carried on the console. Double Arm O.R Pendant has the advantage of one Arm moving vertically by electric motor, supplying a comprehensive facility for larger Operating Theaters. Support arms set on high-quality, maintenance-free bearings with low frictional resistance. Rotating arms are of high tensile steel profiles. Covers are of painted steel sheet or painted plastic. Technical consoles are made of electrostatic powder coated aluminum and/or Steel material. Plastic components are of highly flame-resistant material.

Optionally, other sizes can be manufactured upon customer request.

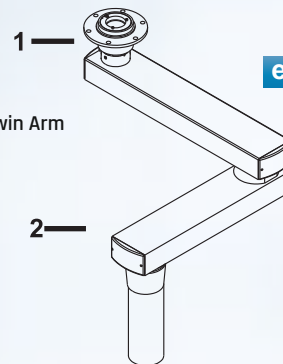
MEDICAL PENDANTS



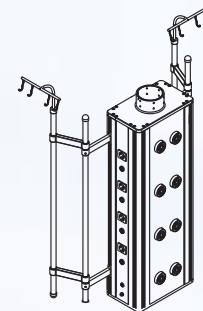
Dry Side S90-305-305



Double Arm ICU Pendant S90-305-400



Wet Side S90-305-400



NO	ITEM NO	DESCRIPTION	QTY
a	S90-300-022	DAP-90 Flange Group	1set
b	S90-300-048	DAP-90 Flange Cover	1ea.
c	S90-300-002	Hor?zontal S?ngle Arm	1set
d	S90-300-003	Hor?zontal Tw?n Arm	1set

Dry Side Parts List:

NO	ITEM NO	DESCRIPTION	QTY
1	S10-010-Q	Q-Click Oxygen Terminal Unit	2ea.
2	S30-010-Q	Q-Click Medical Air 4 Terminal Unit	1ea.
3	S40-010-Q	Q-Click Medical Air 7 Terminal Unit	1ea.
4	S50-010-Q	Q-Click Vacuum Terminal Unit	2ea.
5	S20-10-Q	Q-Click Nitrous Oxide Terminal Unit	1ea.
6	S60-013-000	Agss Terminal Unit	1ea.
7	S90-300-104	U Type Rail	3ea.
8	S90-300-102	Shelf	3ea.
9	S90-300-101	Drawer	1ea.
10	S99-515-003	Earth Electric Socket	8ea.
11	S99-519-003	Potential Earthing	8ea.

Wet Side Parts List:

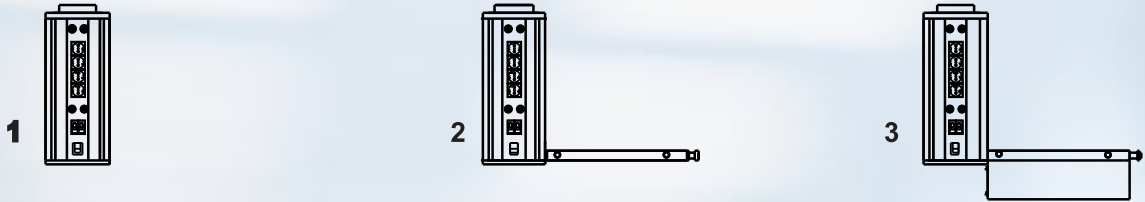
NO	ITEM NO	DESCRIPTION	QTY
1	S10-010-Q	Q-Click Oxygen Terminal Unit	2ea.
2	S30-010-Q	Q-Click Medical Air 4 Terminal Unit	1ea.
3	S40-010-Q	Q-Click Medical Air 7 Terminal Unit	1ea.
4	S50-010-Q	Q-Click Vacuum Terminal Unit	2ea.
5	S20-10-Q	Q-Click Nitrous Oxide Terminal Unit	1ea.
6	S60-013-000	Agss Terminal Unit	1ea.
7	S90-300-104	Earth Electric Socket	8ea.
8	S99-515-003	Potential Earthing	1ea.
9	S90-300-106	Infusion Pump Holder	1ea.
10	S90-300-107	Infusion Pump Holder Supporting Device	1ea.
11	S90-300-108	Infusion Holder with 4 Drip Hook	1ea.

DOUBLE ARM PENDANT

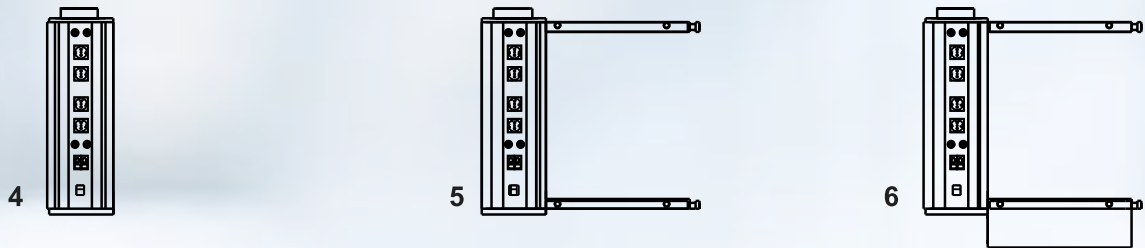
MEDICAL PENDANTS

PENDANT CONSOLE TYPES

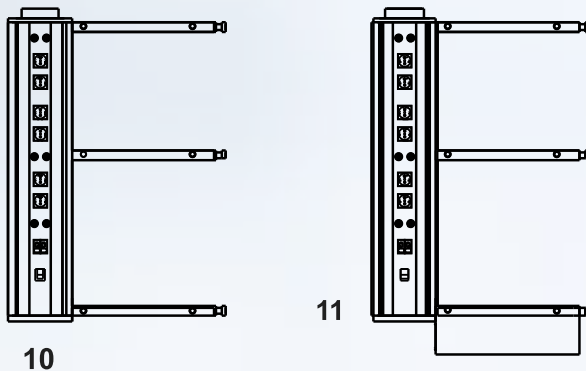
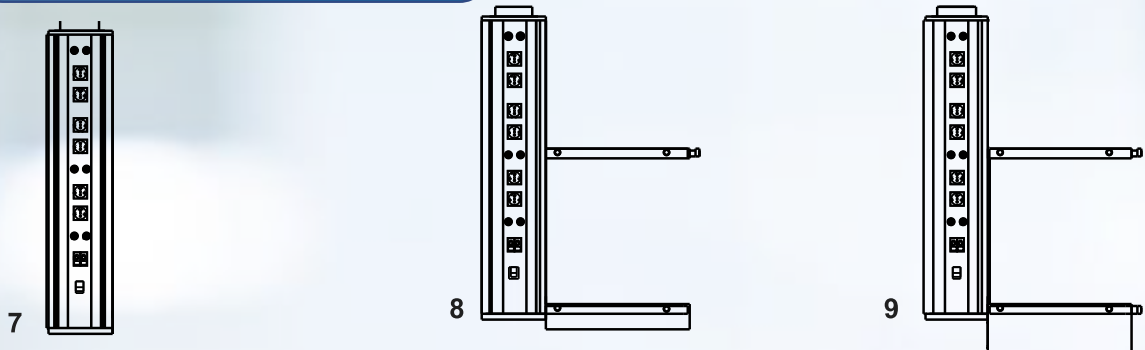
a) Console in 500X350X210mm size



b) Console in 650X350X210mm size

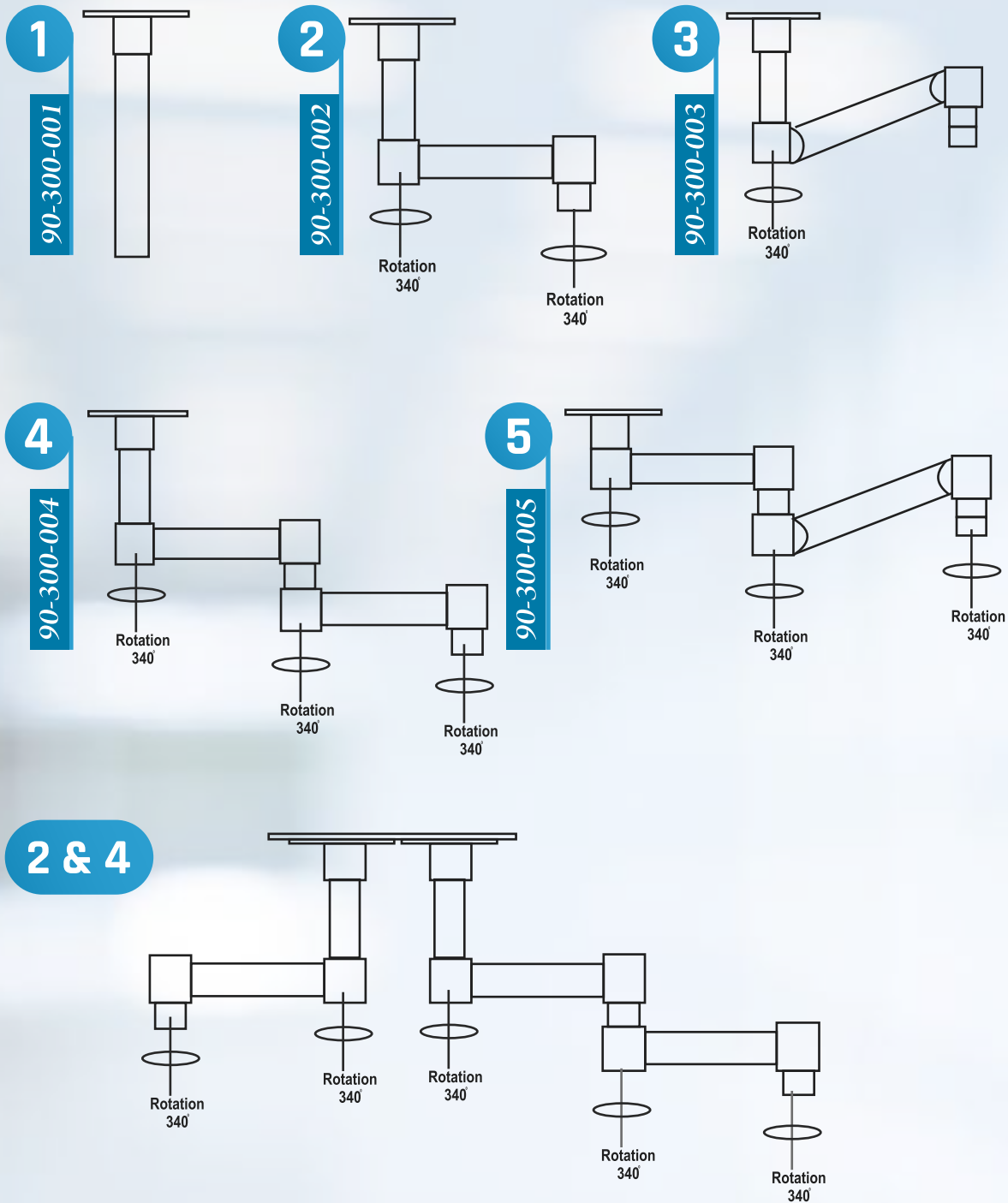


c) Console in 1000X350X210mm size



NO	ITEM NO	DESCRIPTION
1	S90-306-101	Console
2	S90-306-102	Console & Shelf
3	S90-306-103	Console & Shelf & Drawer
4	S90-306-201	Console
5	S90-306-202	Console & 2 ea. Shelves
6	S90-306-203	Console & 2 ea. Shelves & Drawer
7	S90-306-301	Console
8	S90-306-302	Console & 2 ea. Shelves
9	S90-306-303	Console & 2 ea. Shelves & Drawer
10	S90-306-304	Console & 3 ea. Shelves
11	S90-306-305	Console & 3 ea. Shelves & Drawer

MEDICAL PENDANTS

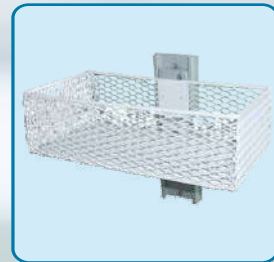


PENDANT ARM TYPES

NO	ITEM NO	DESCRIPTION
1	S90-300-001	Rigid Pendant Arm
2	S90-300-002	Horizontal Single Pendant Arm
3	S90-300-003	Electric Single Pendant Arm
4	S90-300-004	Horizontal Twin Pendant Arm
5	S90-300-005	Electric Twin Pendant Arm

MEDICAL PENDANTS

ACCESSORIES



ITEM NO	DESCRIPTION
S90-140-000	Endotracheal Vacuum Regulator
S99-519-003	Potential Earthing
S90-501-001	AGS Pump Remote Control Switch
S60-010-000	AGS Terminal Unit & Probe
S10-010-Q	Q-Click Oxygen Terminal Unit
S20-010-Q	Q-Click Nitrous Oxide Terminal Unit
S30-010-Q	Q-Click Medical Air 4 Bar Terminal Unit
S40-010-Q	Q-Click Medical Air 7 Bar Terminal Unit
S50-010-Q	Q-Click Vacuum Terminal Unit
S10-130-000	Oxygen Flowmeter
S50-160-000	500x470x30 mm Stainless Steel Rail
S90-300-104	U Type Rail- 10x30 mm Chrome Plated
S50-160-000	Vacuum Bottles
S90-300-103	500X470X80 mm Shelf
S90-300-101	500X500X100 mm Drawer
S99-753-003	Pressure Gauge
S50-170-000	Vacuum Basket
S90-300-107	Infusion Pump Holder Supporting Device
S90-300-106	Infusion Pump Holder (Ø28 mm x 1300 mm)
S99-515-003	Earth Electric Socket, DIN Norm
S90-300-106	Infusion Holder with 4 Drip